

Mounting instructions

Insulated water box

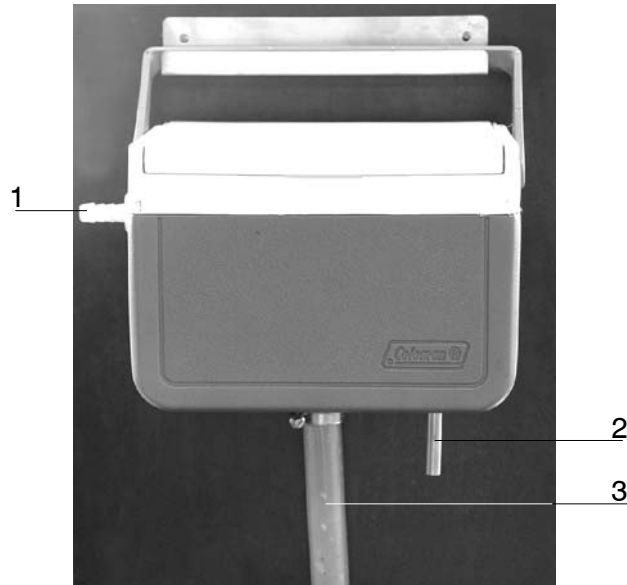
Re: all automatic feeders

Date February 2005

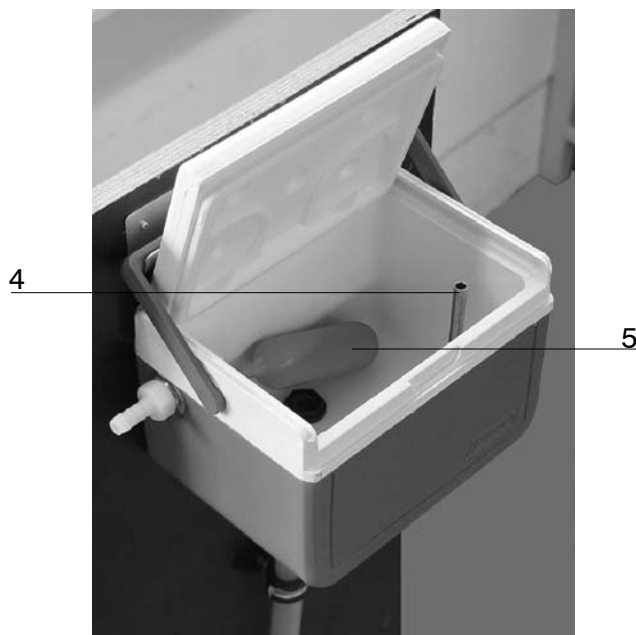
Retrofitting and new equipment



Insulated water box



1	Connection for water supply
2	Overflow
3	Hose to automatic feeder



4	Overflow
5	Plunger

Mounting instructions

Insulated water box

Re: all automatic feeders

Date February 2005

Retrofitting and new equipment



Converting the automatic feeder into water box operation

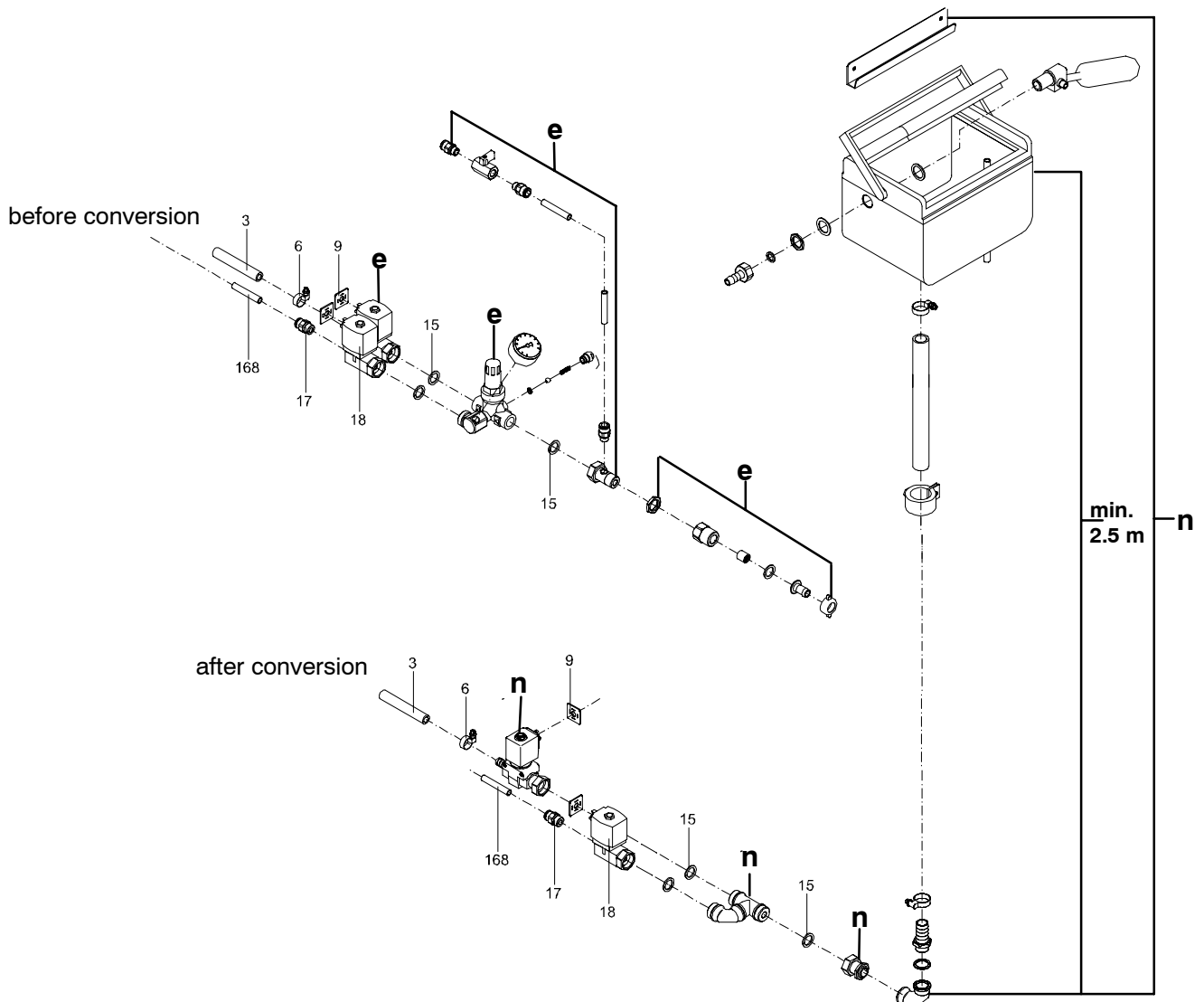
Stick to the exploded drawings when assembling or disassembling the pieces.

e = remove these pieces

n = these pieces must be added

Those pieces bearing the **same piece number** or being marked by **w**, are repeatedly **used**.

1) TAK5 (excl. SA4, SM4 and CE1) and TAK6



Mounting instructions

Insulated water box

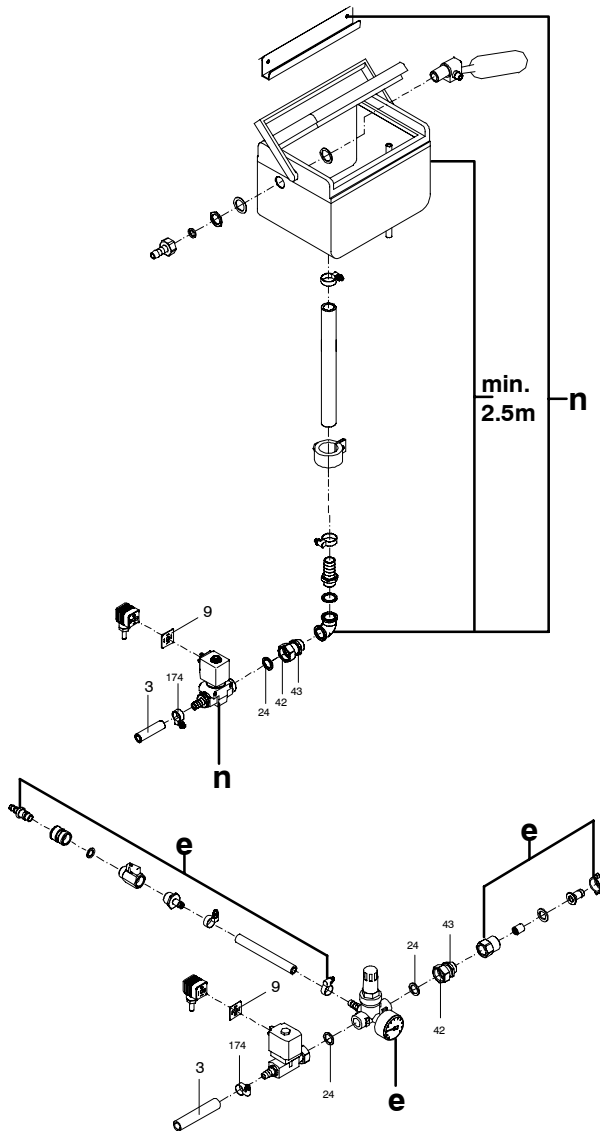
Re: all automatic feeders

Date February 2005

Retrofitting and new equipment



2) TAP5 (excl. SA4, SM4 and CE1) and TAP6



Mounting instructions

Insulated water box

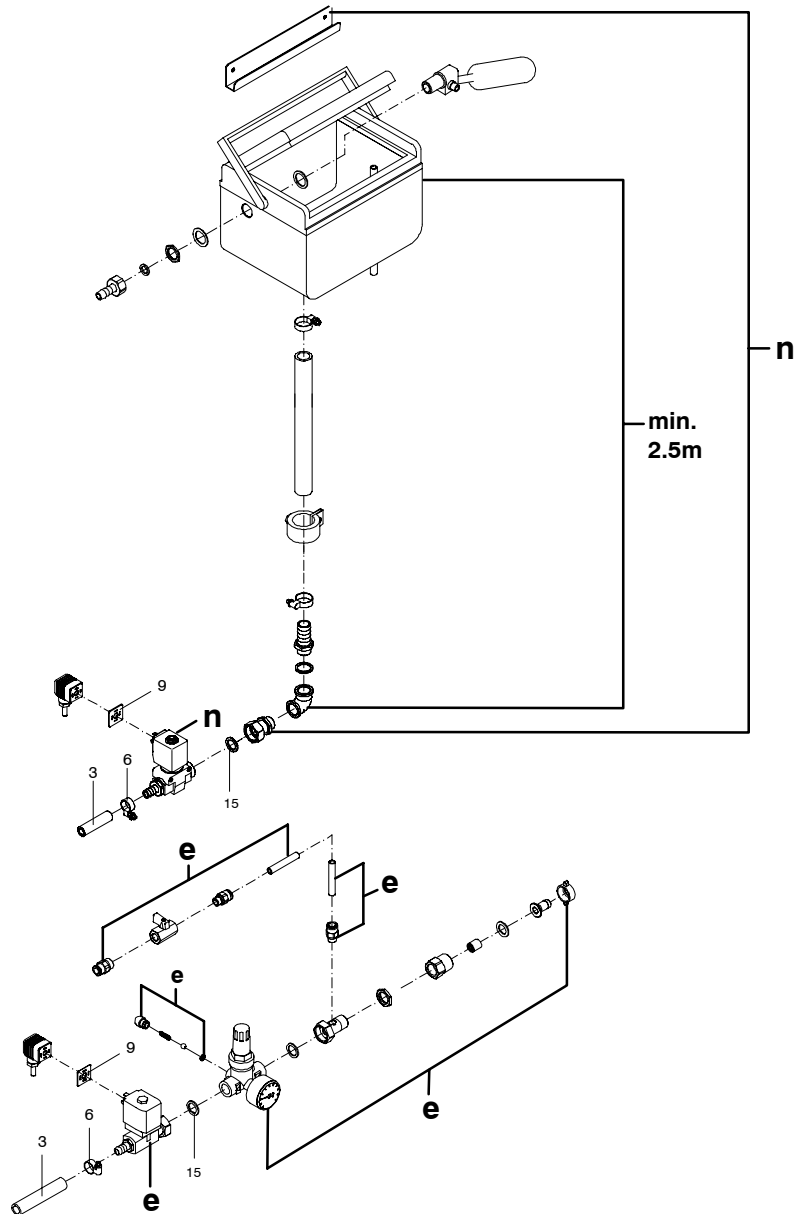
Re: all automatic feeders

Date February 2005

Retrofitting and new equipment



3) TAP5 with plug-type connector



Mounting instructions

Insulated water box

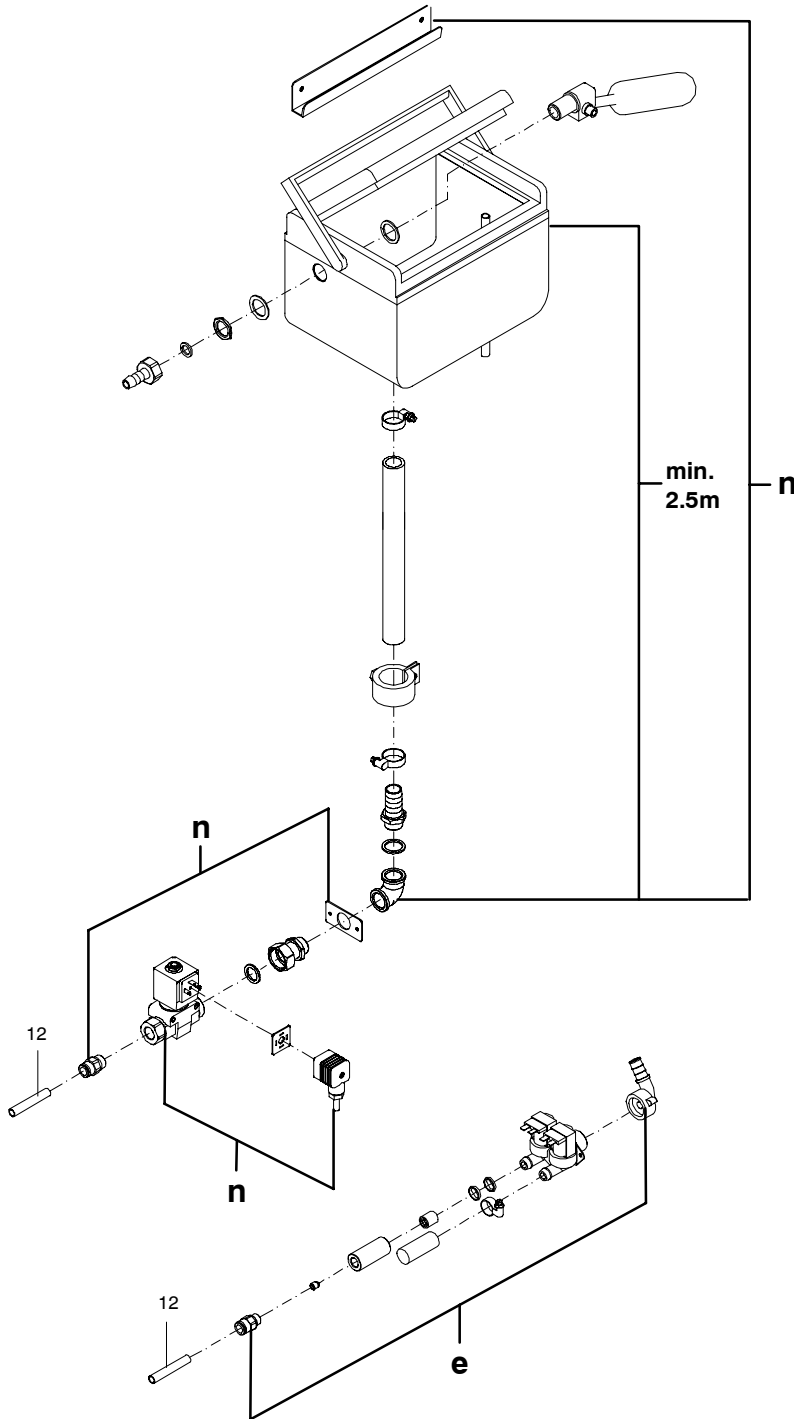
Re: all automatic feeders

Date February 2005

Retrofitting and new equipment



4) TAP5-SA4/TAP5-SM4/TAP5-CE1



Mounting instructions

Insulated water box

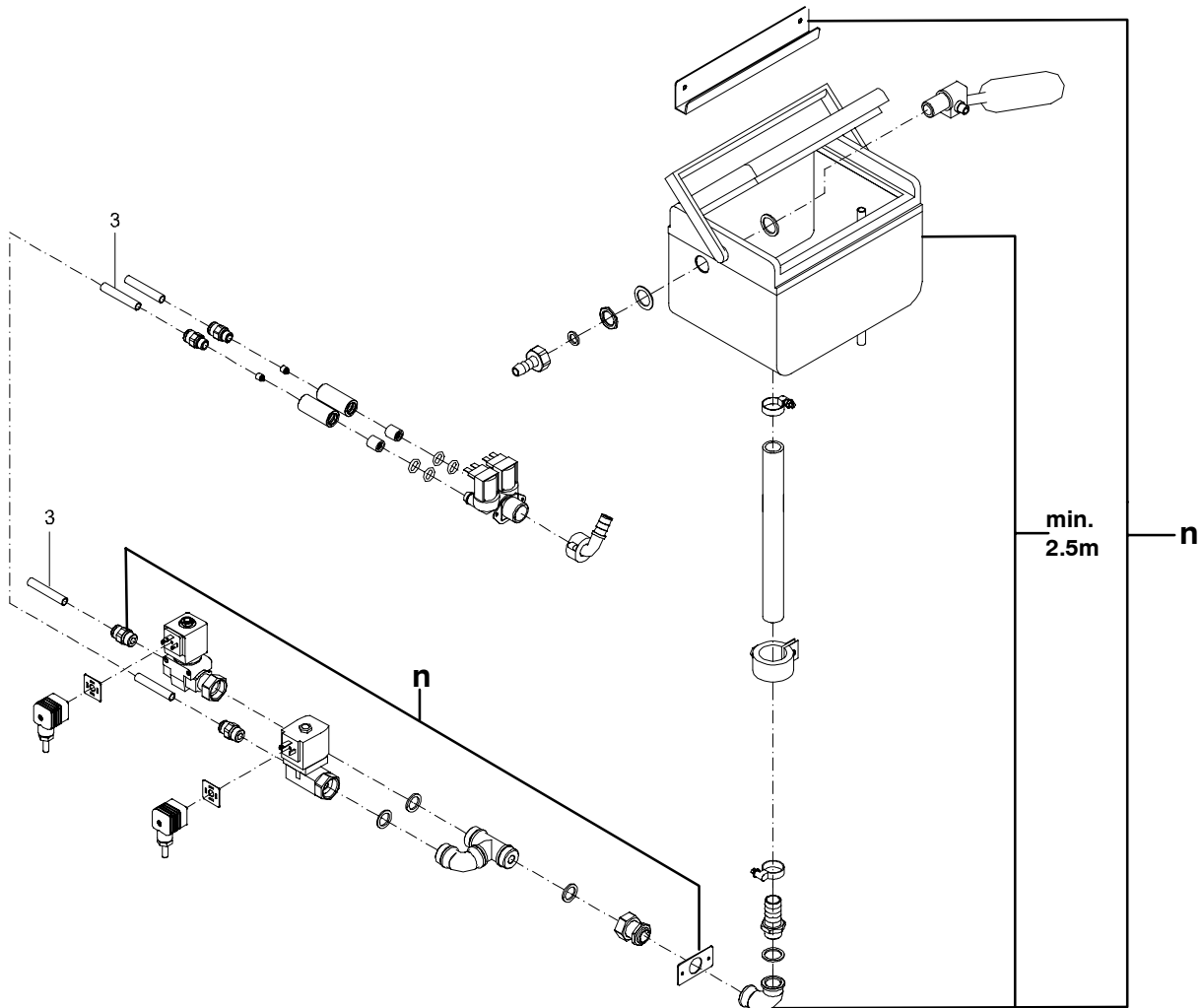
Re: all automatic feeders

Date February 2005

Retrofitting and new equipment



5) TAK5-SA4/TAK5-SM4/TAK5-CE1



Mounting instructions

Insulated water box

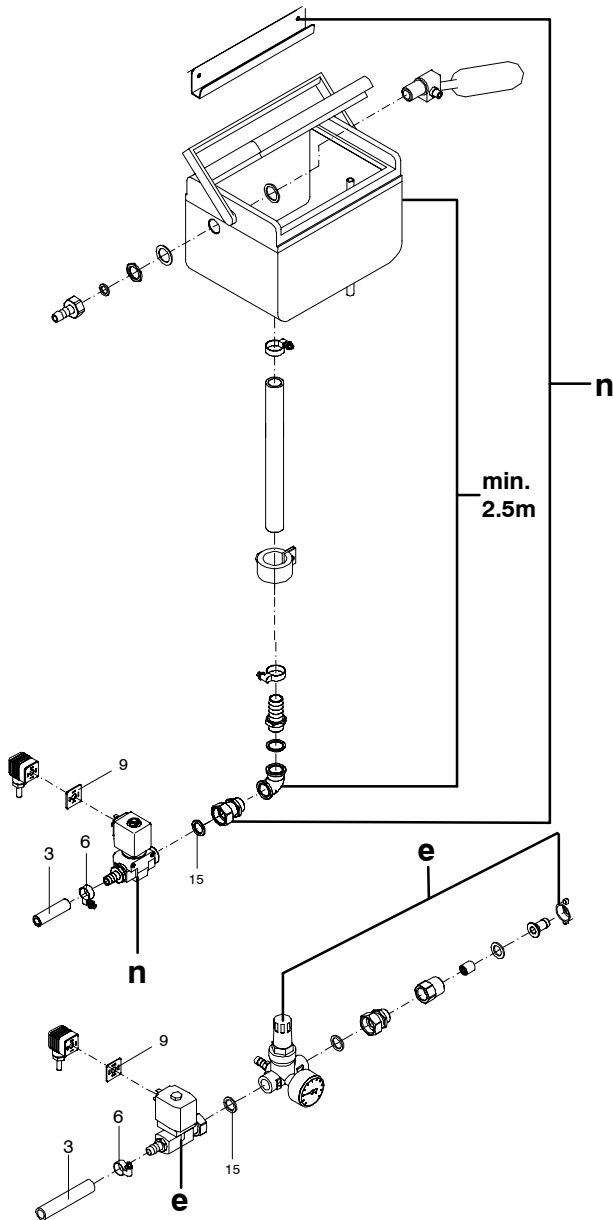
Re: all automatic feeders

Date February 2005

Retrofitting and new equipment



6) ZR2000



Mounting instructions

Insulated water box

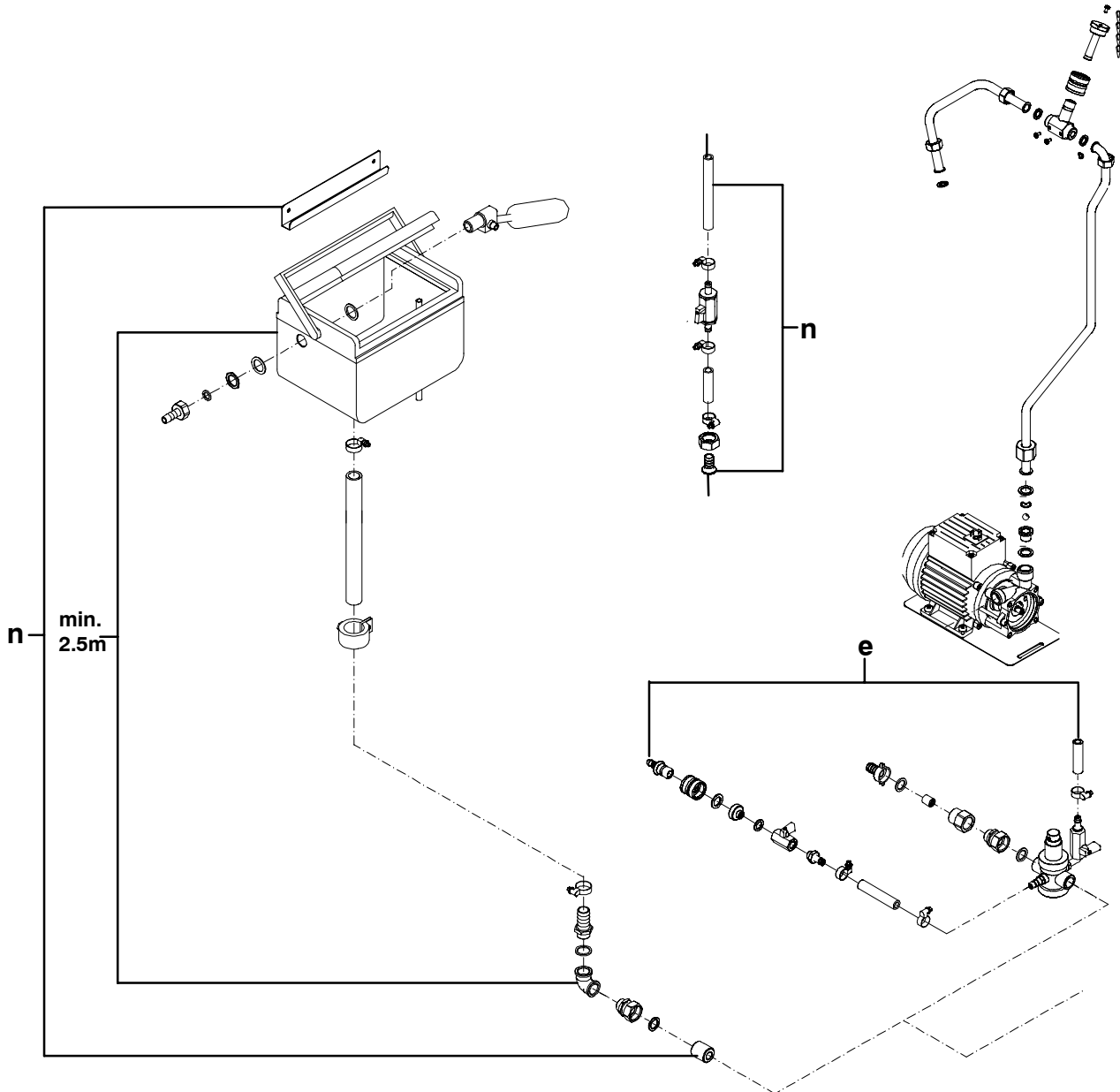
Re: all automatic feeders

Date February 2005

Retrofitting and new equipment



7) TAK2-KR1, TAK2-SA2 Spezialist (5,0 kW VA-pump)



Mounting instructions

Insulated water box

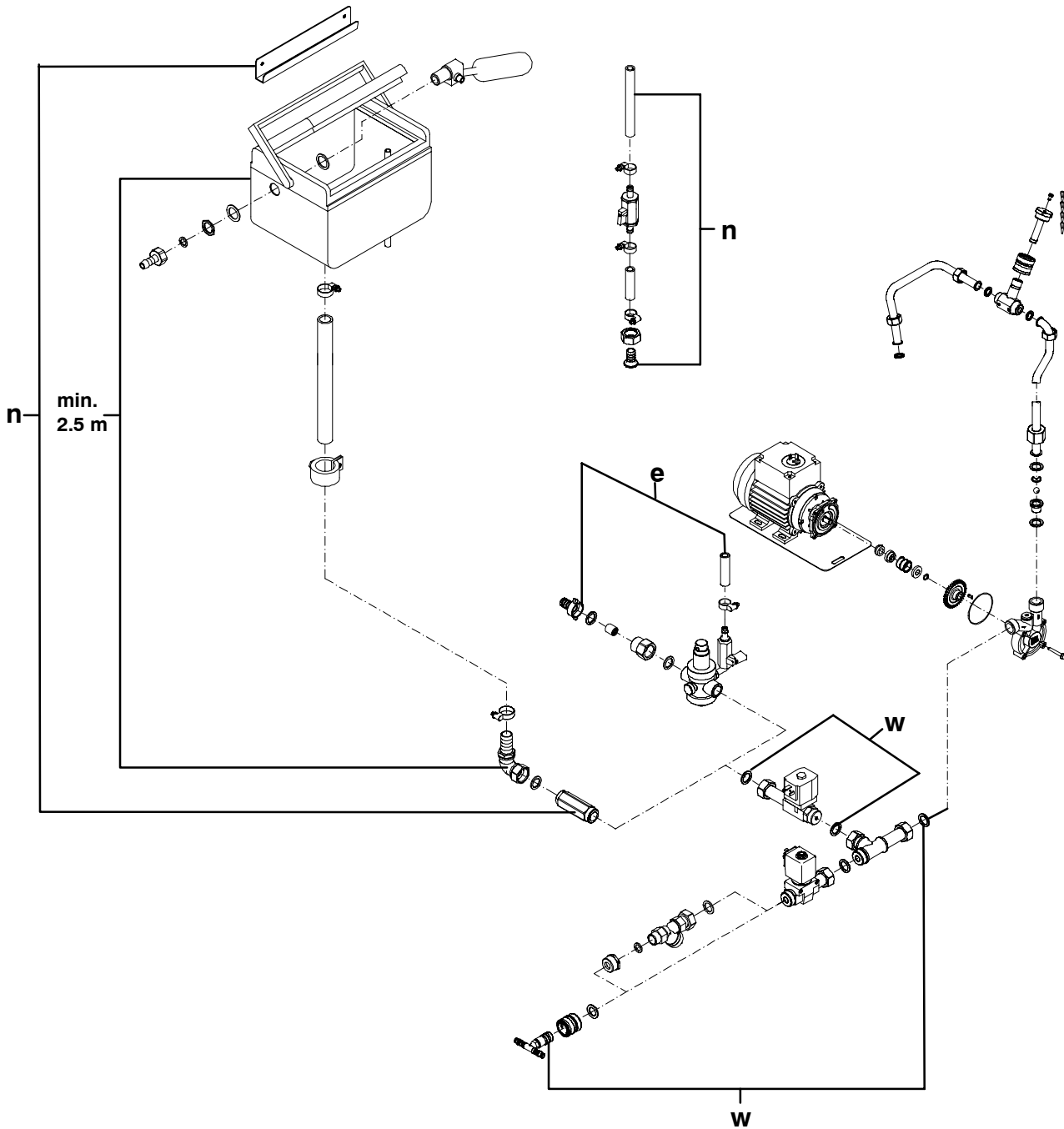
Re: all automatic feeders

Date February 2005

Retrofitting and new equipment



8) TAK1-VA-1, TAK1 MS-P and TAK1 VA-pump



Mounting instructions

Insulated water box

Re: all automatic feeders

Date February 2005

Retrofitting and new equipment



9) TAP-FE

